

## MOUNTING ADAPTOR SELECTION GUIDE



in sink erator®



# ADAPTABILITY IS ONE OF OUR BEST FEATURES.



Our disposers include two types of stainless steel collar adaptors and a sink flange adaptor to accommodate any size sink opening. Customize your disposer and clean up operation by choosing from a variety of bowl sink assemblies designed for dish tables or drainboards.

## Use This Chart to Select the Correct InSinkErator Mounting Adaptor

- Disconnect existing disposer from sink bowl or cone.
- Find the diagram that matches your sink bowl or cone.
- Measure the A and B dimensions (also C, D and E if indicated).
- Match the manufacturer and dimensions to find the adaptor number to order.

**1**

FLANGE SINK MOUNT

A – Diameter (sink or bowl opening)  
B – Diameter (outside flange)

Normally Used By	A	B	ISE Ring Adaptor #	Special Information
ISE, Waste King, Toledo, National	4 1/2"	5 1/8"	11327A	Discard previous adaptor parts.
FMC, Avant	5 1/4"	5 1/16"	11327C	Discard previous adaptor parts.
Bus Boy	6"	6 7/8"	11327K	Discard previous adaptor parts (has 3-piece split ring).
ISE, Toledo	6"	7 3/16"	11327B	Discard previous adaptor parts.
Standard ISE mounting	6 5/8"	7 1/8"	11599E	Discard previous adaptor parts.
National, Hobart, Toledo	7"	7 3/8"	11327G	Discard previous adaptor parts. National mounting has ten bolt circle on split ring.
Salvajor	7"	7 3/4"	11599A	Discard previous adaptor parts (split ring supplied).
ISE, Toledo	8"	9 1/4"	11327	Discard previous adaptor parts (split ring supplied).

**2**

A – Diameter (sink or bowl opening)  
B – Diameter (outside flange)  
E – Diameter (bolt hole circle)

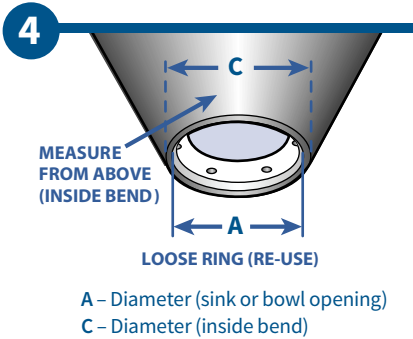
Normally Used By	A	B	E	No. of Bolt Holes	ISE Ring Adaptor #	Special Information
Waste King, Red Goat	4 1/2"	6 1/2"	5 1/2"	6	11599	Discard previous adaptor parts. Use existing bolt holes.
American Delphi, Atomic	6"	7 1/2"	6 7/8"	6	11378D	Discard previous adaptor parts. Use existing bolt holes.
National, Hobart	7"	8 1/2"	8 1/16"	10	11599B	Discard previous adaptor parts.

**3**

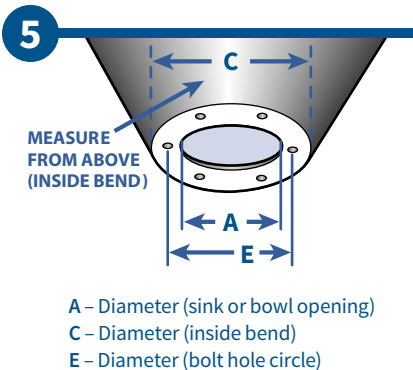
BOLT HOLES IN UNATTACHED RING

A – Diameter (sink or bowl opening)  
B – Diameter (outside flange)

Normally Used By	A	B	ISE Ring Adaptor #	Special Information
Waste King	6"	6 1/2"	11327D	Loose ring on sink not used with this adaptor (O.D. of loose ring is 7 1/2" with six bolts – 7" bolt hole circle diameter).

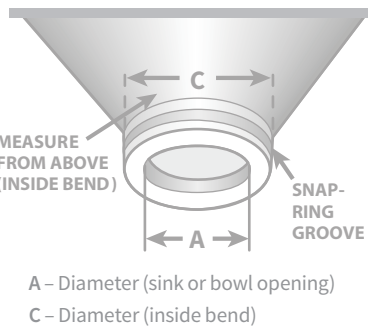


Normally Used By	A	C	ISE Ring Adaptor #	Special Information
Waste King, Bus Boy	5 7/8"	6 1/2"	11327H	Re-use existing clamping ring.
Waste King, Bus Boy	5 7/8"	6 7/8"	11327H	

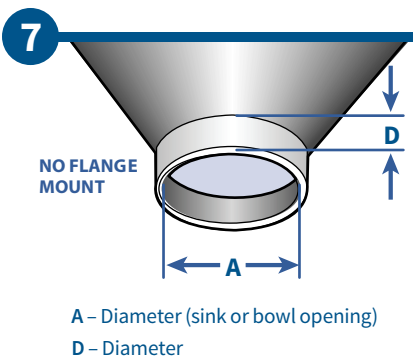


Normally Used By	A	C	E	No. of Bolt Holes	ISE Ring Adaptor #	Special Information
Hobart	4 1/2"	6 7/8"	5 1/2"	6	11327H	Discard previous adaptor parts.

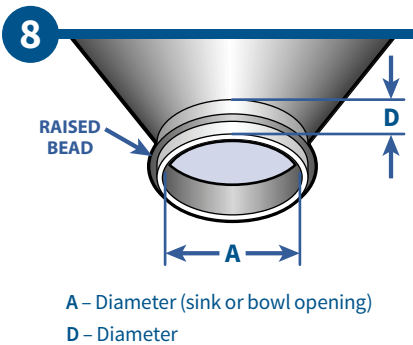
## 6 Discontinued



Normally Used By	A	C
Hobart	5"	5 7/8"
GE	6"	6 3/8"



Normally Used By	A	D	ISE Ring Adaptor #	Special Information
Red Goat, Insinger	4 1/2"	1 1/8"	11378C	4 3/4" rubber connection sleeve and clamping bands. Support legs required.
Waste King	6"	1 1/8"	11378A	6 1/4" rubber connection sleeve and clamping bands. Support legs required.
Red Goat, Insinger	7"	1 1/8"	11378B	7 1/4" rubber connection sleeve and clamping bands. Support legs required.
Master	8"	1"	11599K	8 1/4" rubber connection sleeve and clamping bands. Support legs required.



Normally Used By	A	D	ISE Ring Adaptor #	Special Information
Salvajor	4 7/16"	1"	11599N	Has raised bead on outside of sink throat. Support legs required.
Salvajor	6 5/8"	1"	11599H	

# TRUSTED BY FOODSERVICE CONSULTANTS AND EQUIPMENT DEALERS.

Whether you serve 25 or 2,500 people, there is an InSinkErator disposer that's right for you.

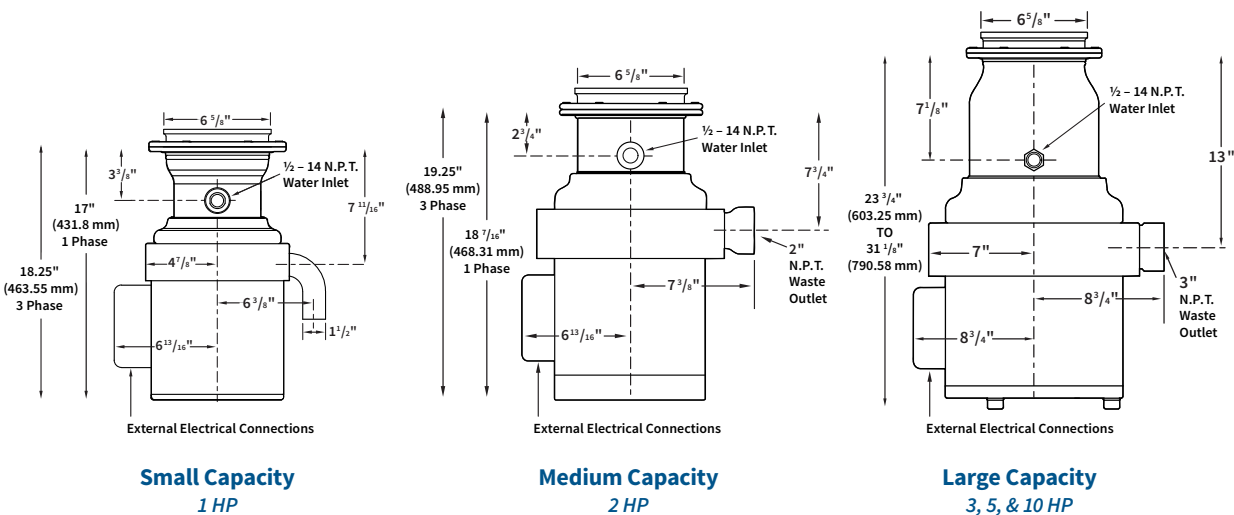
## InSinkErator Commercial Disposer Sizing Chart

To determine the proper size disposer, use this recommended sizing chart. Sizing recommendations are given in general terms; actual capacities vary depending on the volume and type of food waste. LC-50 model available for light duty commercial applications, such as coffee shops, convenience stores, or quick service restaurants.

For questions or special applications, contact your Foodservice Consultant or InSinkErator.

<b>Volume Processed</b>	<b>High</b> Buffet/Cafeteria Government	SS-300	SS-300/500	SS-500	SS-500/1000	SS-500/1000	
	<b>Medium</b> Full Service Restaurant	SS-200	SS-300	SS-300/500	SS-500	SS-500/1000	
		SS-100	SS-200	SS-300	SS-300/500	SS-500	
	<b>Low</b> Limited Service Restaurant/Café/ Fast Casual	SS-100	SS-100	SS-200	SS-300	SS-300/500	
		<b>Light</b> Majority Fruits & Vegetables		<b>Medium</b> 50/50 Mixture	<b>Heavy</b> Majority Meats & Seafood		
		<b>Food Waste Composition</b>					

## Five Stainless Steel Models from 1 HP to 10 HP in three sizes:



From food waste disposers and reduction systems to hot water dispensers and water saving systems, InSinkErator has a commercial equipment solution to enhance your day-to-day foodservice operations.



4700 21st Street Racine, WI 53406  
 T: 800-845-8345 F: 262-554-3620  
[www.insinkerator.com/foodservice](http://www.insinkerator.com/foodservice)  
 F188-17B-95-85

The Emerson logo is a trademark and a service mark of Emerson Electric Co. InSinkErator® may make improvements and/or changes in the specification at any time, in its sole discretion, without notice or obligation and further reserves the right to change or discontinue models.  
 ©2017 InSinkErator InSinkErator is a business unit of Emerson Electric Co. All rights reserved.

